



Advanced Valve Technologies

A CLOCK SPRING COMPANY

AVT EZ Valve™ 4, 6, 8, 10 & 12-inch, (100mm to 300mm)

The award-winning AVT EZ Valve™ is the best choice for emergency repairs and the smartest solution for planned and emergency pipeline maintenance on 4-inch to 12-inch, (100mm to 300mm) diameter lines.

This inline insertion valve can be installed on horizontal or vertical lines and normally requires a single excavation; so fixing a line is fast, with fewer disruptions to businesses and residents and less cost and risk for owners and operators. On pipe diameters from 4 in. to 12 in. (100mm to 300mm), these valves normally can be installed in around an hour.

Ranked among the industry's most innovative solutions, the light and compact AVT EZ Valve™ is designed with a built-in isolation gate that allows the valve to be installed under pressure, a design feature that permits flow through the line while the repair is being made. It is durable, reliable, and certified to industry standards.

Applications

- Municipal water networks
- Transmission and distribution lines
- Wastewater treatment plants
- Sewer force main
- Refining and petrochemical plants
- Offshore (oil rigs)
- Commercial buildings / isolation
- High-rise buildings
- Multiple occupancy buildings
- Industrial process piping
- Ground storage tank isolation

BENEFITS & VALUE:

- No water shutoff required during installation
- No service interruption
- No fines for water shutoff
- No boil orders
- No customer notices
- No risk of plugging the line with a cut coupon
- No loss of pipe integrity
- Four times quicker to install than other valves on the market
- Only one excavation required for water line repair



Features

Design

Unique, patented technology

Low profile design

Ductile iron castings

Integrated isolation valve

Patented multichannel double-seal gaskets conform to irregular pipe geometries and sizes

Sizes 4 inches to 12 inches, (100mm to 300mm)

Installation

Can be installed on all common pipe materials

Customizable for special applications (sleeves to meet steel pipe ODs)

Installs at any angle

Valve bonnet can be removed after repair or remain in place as a permanent functioning valve

Safety

Corrosion resistant coatings

Stainless steel fasteners for secure positioning

Rated at 250 PSI, (17 Bar)

EZ Valve Materials are WRAS Certified, meet AWWA C-509/C-515 standards, UL Drinking Water System Component ANSI/NSF 61 and is Certified to NSF/ANSI 372 MH4914

The valve will seal against a range of pipe exteriors, by using multiple gaskets if necessary, as below:

| PIPE SIZE | DIAMETRICAL RANGE |
|-----------|-------------------|
| 4" | 4.40 - 4.60 |
| 4" | 4.80 - 5.00 |
| 6" | 6.40 - 6.80 |
| 6" | 6.70 - 7.10 |
| 8" | 8.35 - 8.75 |
| 8" | 8.95 - 9.35 |
| 10" | 10.65 - 10.85 |
| 10" | 11.10 - 11.50 |
| 12" | 12.65 - 12.85 |
| 12" | 13.20 - 13.50 |



Install process



Step 1: Prepare insertion site



Step 2: Assemble ductile iron castings with integrated isolation valve

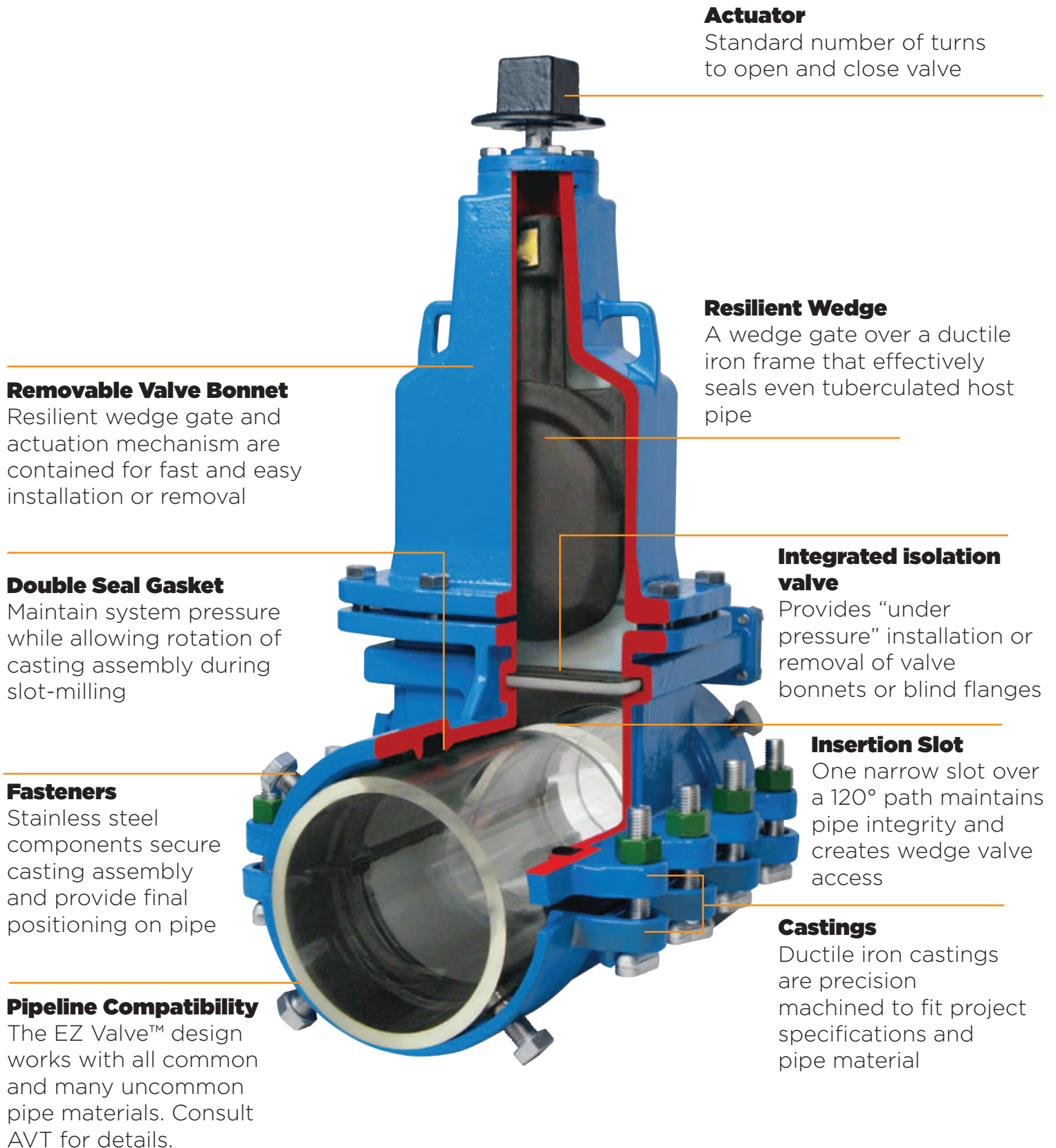


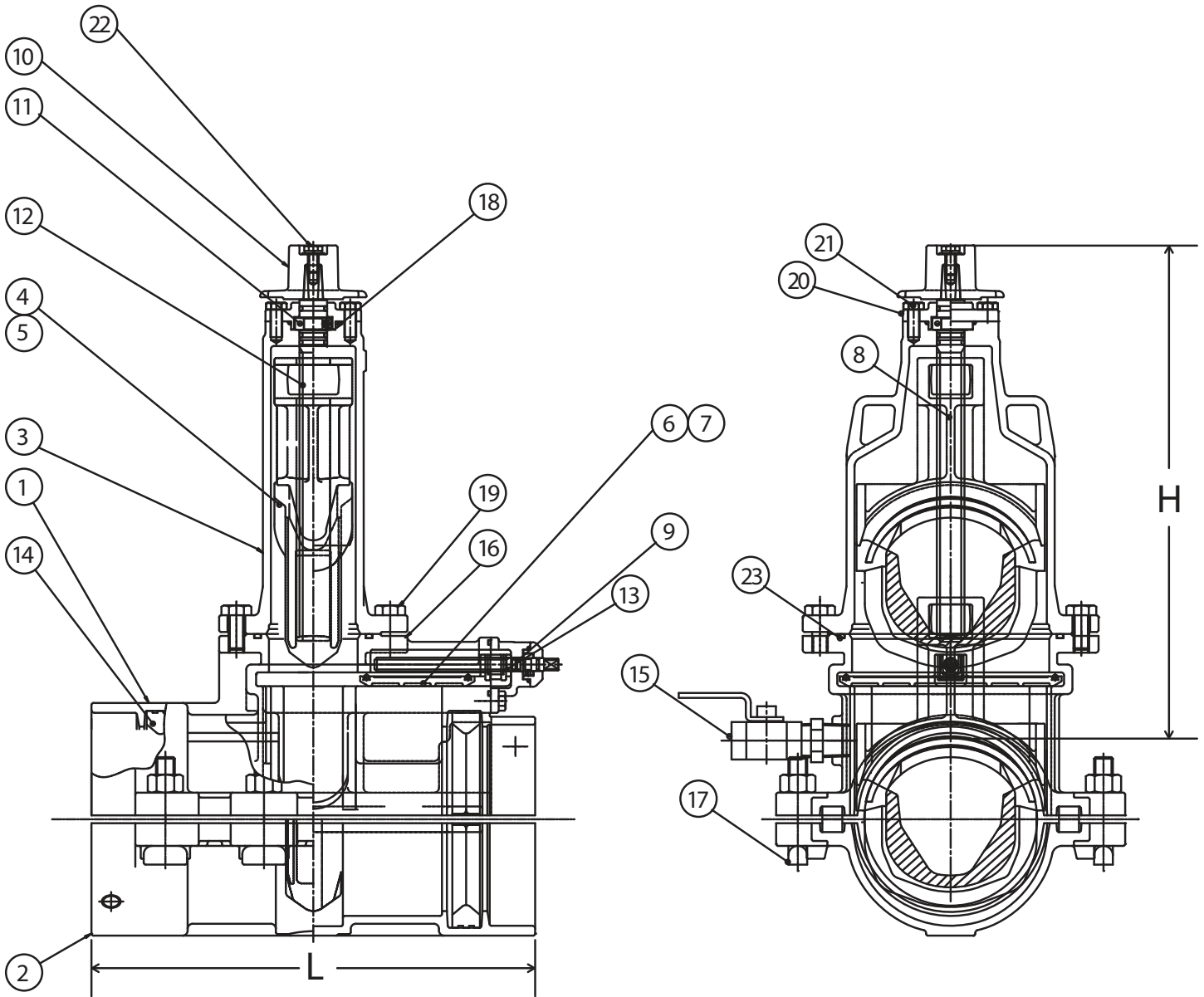
Step 3: Attach milling tool and mill 120° insertion slot



Step 4: Close isolation valve, replace milling tool with valve bonnet. Open isolation valve and operate EZ Valve as needed

Cut away valve with key

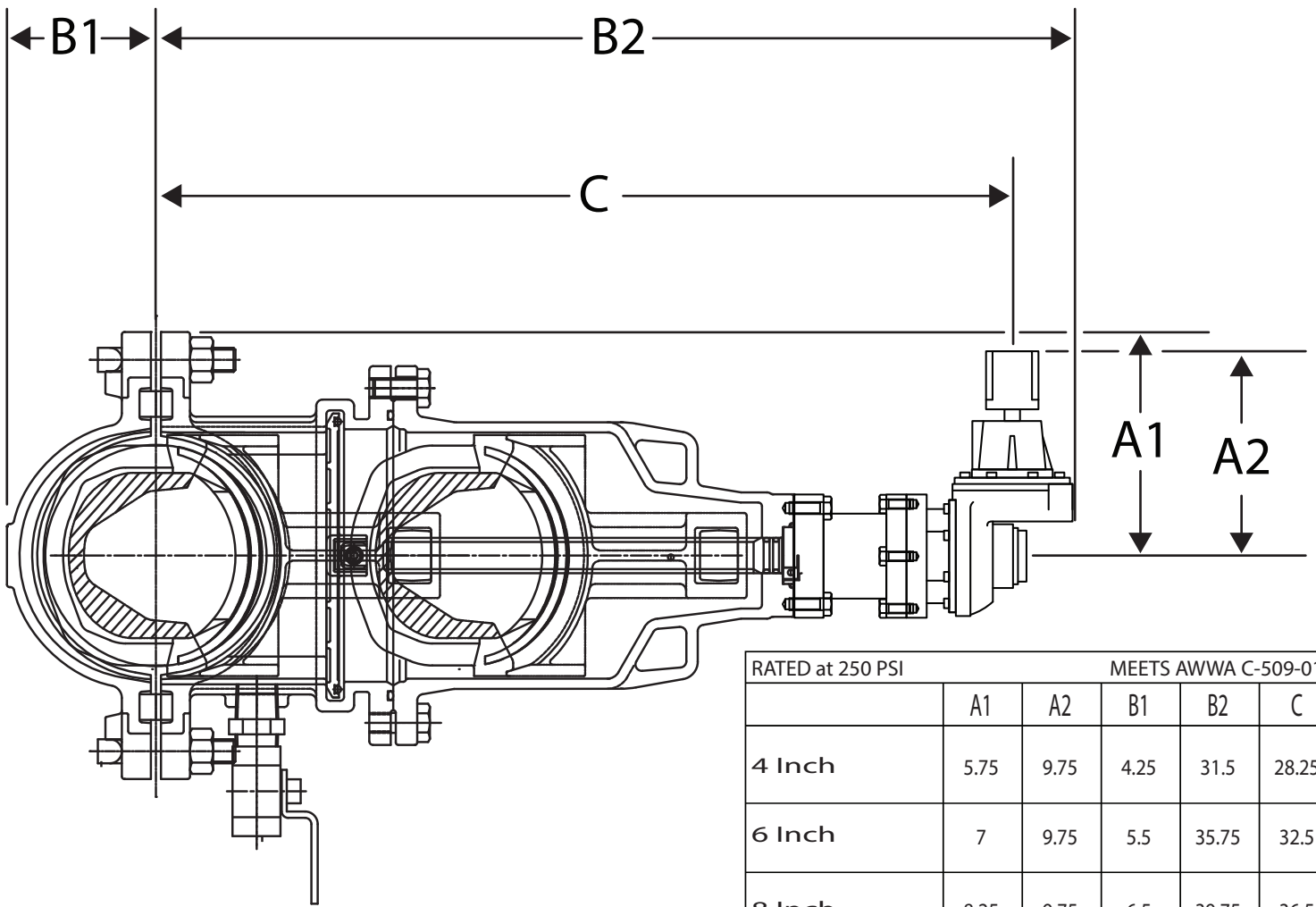




UL LISTED / NSF-61 Compliant

| Item No. | Description | Material | SIZE | HEIGHT | LENGTH |
|----------|-------------------------------|-------------------------------|------|--------|---------|
| 1 | Upper Half of Body | DUCTILE IRON | 4" | 18" | 17 3/4" |
| 2 | Bottom Half of Body | DUCTILE IRON | | | |
| 3 | Bonnet Body | DUCTILE IRON | | | |
| 4 | Gate | DUCTILE IRON | 6" | 21" | 17 3/4" |
| 5 | Gate Rubber | EPDM | | | |
| 6 | Isolation Gate | DUCTILE IRON | 8" | 24" | 17 3/4" |
| 7 | Isolation Gate Rubber | EPDM | | | |
| 8 | Stem (Feed Screw) | STAINLESS STEEL | | | |
| 9 | Isolation Gate Stem | STAINLESS STEEL | 10" | 27" | 19 3/4" |
| 10 | Wrench Nut | DUCTILE IRON | | | |
| 11 | Set Collar | BRASS | 12" | 29" | 19 3/4" |
| 12 | Stem Nut | BRONZE | | | |
| 13 | Isolation Gate Stem Nut | BRONZE | | | |
| 14 | Gasket | EPDM | | | |
| 15 | Chip Flushing Port | | | | |
| 16 | EM Cutting Port | | | | |
| 17 | Sacrificial Anode Bolts/ Nuts | DUCTILE IRON WITH ZINC ANODES | | | |
| 18 | O-Rings | BUNA-N | | | |
| 19 | Bonnet Bolts | STAINLESS STEEL | | | |
| 20 | Packing Gland | DUCTILE IRON | | | |
| 21 | Packing Gland Bolts | STAINLESS STEEL | | | |
| 22 | Bolt for Wrench Nut | STAINLESS STEEL | | | |
| 23 | Bonnet O-Ring | EPDM | | | |

4" ~ 12" EZ VALVES DIMENSIONS AND SPECIFICATIONS



| | RATED at 250 PSI | | MEETS AWWA C-509-01 | | |
|---------|------------------|------|---------------------|-------|-------|
| | A1 | A2 | B1 | B2 | C |
| 4 Inch | 5.75 | 9.75 | 4.25 | 31.5 | 28.25 |
| 6 Inch | 7 | 9.75 | 5.5 | 35.75 | 32.5 |
| 8 Inch | 8.25 | 9.75 | 6.5 | 39.75 | 36.5 |
| 10 Inch | 9.5 | 9.75 | 7.5 | 43.75 | 40.5 |
| 12 Inch | 10.75 | 9.75 | 8.5 | 46.75 | 43.5 |

Specifications

- 1.) Bottom Half Body: DI. ASTM A536 65-45-12 (AWWA C-509-01)
- 2.) Upper Half Body: DI. ASTM A536 65-45-12 (AWWA C-509-01)
- 3.) Bonnet: DI. ASTM A536 65-45-12 (AWWA C-509-01)
- 4.) Gate: DI. ASTM A536 65-45-12 (AWWA C-509-01)
- 5.) Gate Rubber Coated: ASTM 10429 (AWWA C-509-01)
- 6.) Stem: Stainless Steel 1 CR 12 (AWWA C-509-01)
- 7.) Gasket: EPDM (AWWA C-509-01)
- 8.) Set Collar: Brass ASTM C519100 (AWWA C-509-01)
- 9.) Stem Nut: Bronze ASTM C90300 (AWWA C-509-01)
- 10.) Wrench Nut: DI. ASTM A536 65-45-12 (AWWA C-509-01)

Warranty: A One Year warranty covers parts and labor for Equipment and Valves (Excluding Perishable Tooling and O-Rings) barring misuse or lack of routine maintenance.

