



Advanced Valve Technologies

A CLOCK SPRING COMPANY

AVT EZ Valve™ 14, 16, 18, 20 & 24-inch, (350mm to 600mm)

The award-winning AVT EZ Valve™ is the best choice for emergency repairs and the smartest solution for planned and emergency pipeline maintenance on 14-inch to 24-inch, (350mm to 600mm) diameter lines.

This inline insertion valve can be installed on horizontal or vertical lines and requires a single excavation; so fixing a line is fast, with fewer disruptions to businesses and residents and less cost and risk for owners and operators. Even on pipe diameters from 14 in. to 24 in., (350mm to 600mm), these valves normally can be installed in about four hours.

Ranked among the industry's most innovative solutions, the light and compact AVT EZ Valve™ is designed with a built-in isolation gate that allows the valve to be installed under pressure, a design feature that permits flow through the line while the repair is being made. It is durable, reliable, and certified to industry standards.

Applications

- Municipal water networks
- Transmission and distribution lines
- Wastewater treatment plants
- Sewer force main
- Refining and petrochemical plants
- Ground storage tank isolation

BENEFITS & VALUE:

- No water shutoff required during installation
- No service interruption
- No fines for water shutoff
- No boil orders
- No customer notices
- No risk of plugging the line with a cut coupon
- No loss of pipe integrity
- Four times quicker to install than other valves on the market
- Only one excavation required for water line repair



Features

Design

Unique, patented technology

Low profile design

Ductile iron castings

Integrated isolation valve

Patented multichannel double-seal gaskets conform to irregular pipe geometries and sizes

Sizes 14-inch to 24-inch, (350mm to 600mm)

Installation

Can be installed on all common pipe materials

Customizable for special applications (sleeves to meet steel pipe ODs)

Installs at any angle

Valve bonnet can be removed after a repair or remain in place as a permanent functioning valve

Safety

Corrosion resistant coatings

Stainless steel fasteners for secure positioning

Rated at 250 PSI, (17 Bar)

EZ Valve Materials are WRAS Certified, meet AWWA C-509/C-515 standards, UL Drinking Water System Component ANSI/NSF 61 and is Certified to NSF/ANSI 372 MH4914

The valve will seal against a range of pipe exteriors, by using multiple gaskets if necessary, as below:

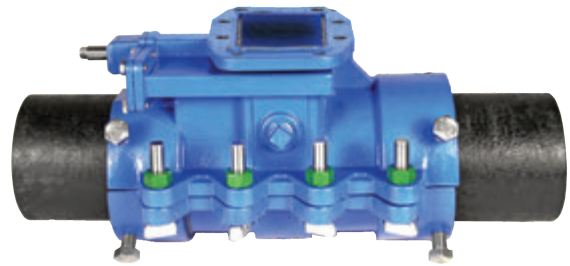
PIPE SIZE	DIAMETRICAL RANGE
14"	15.30 - 15.65
16"	17.40 - 17.80
18"	19.40 - 19.55
20"	21.60 - 22.06
24"	25.80 - 26.32



Install process



Step 1: Prepare insertion site



Step 2: Assemble ductile iron castings with integrated isolation valve

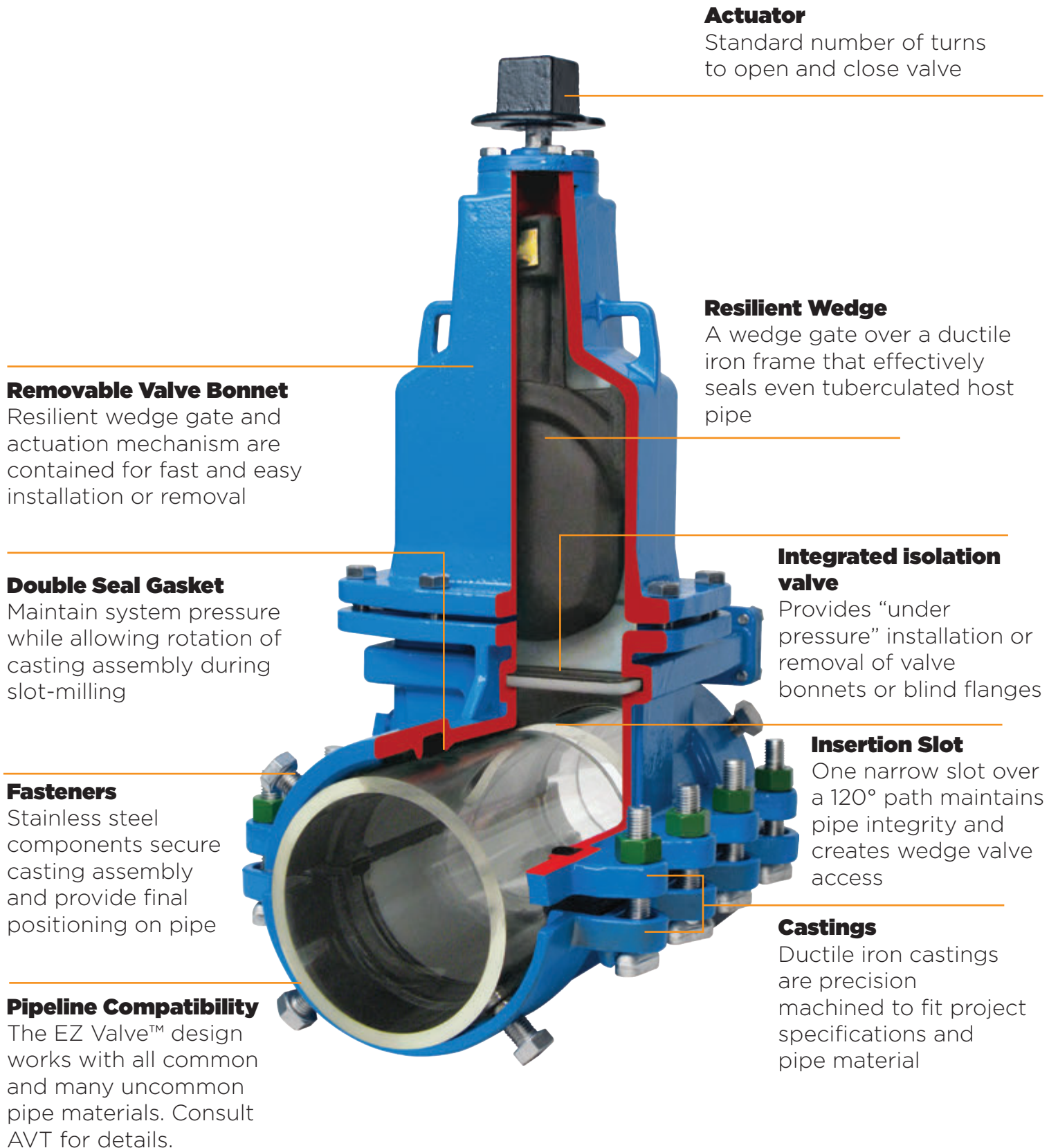


Step 3: Attach milling tool and mill 120° insertion slot

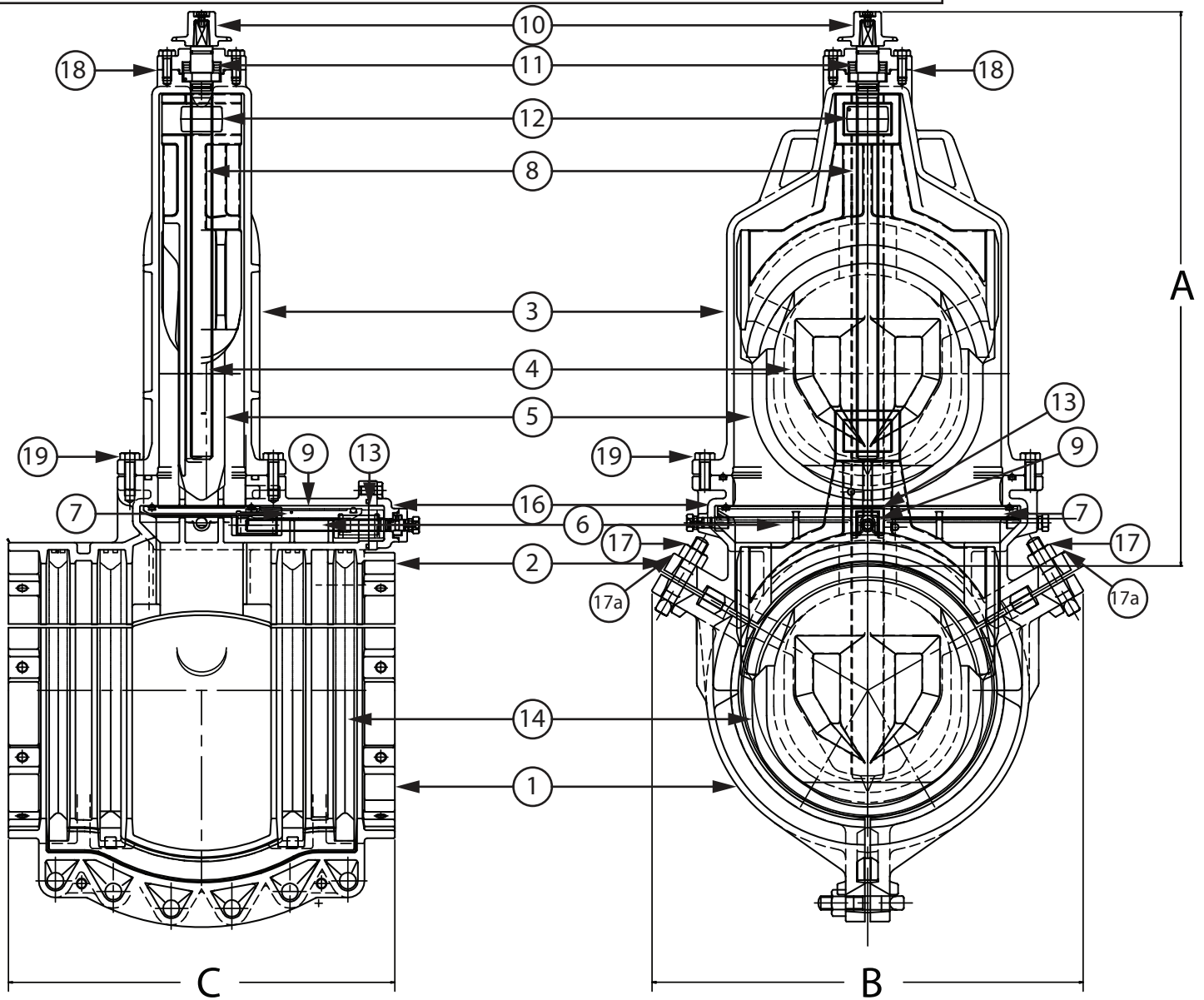


Step 4: Close isolation valve, replace milling tool with valve bonnet. Open isolation valve and operate EZ Valve as needed

Cut away valve with key



14" ~ 24" EZ VALVES DIMENSIONS AND SPECIFICATIONS

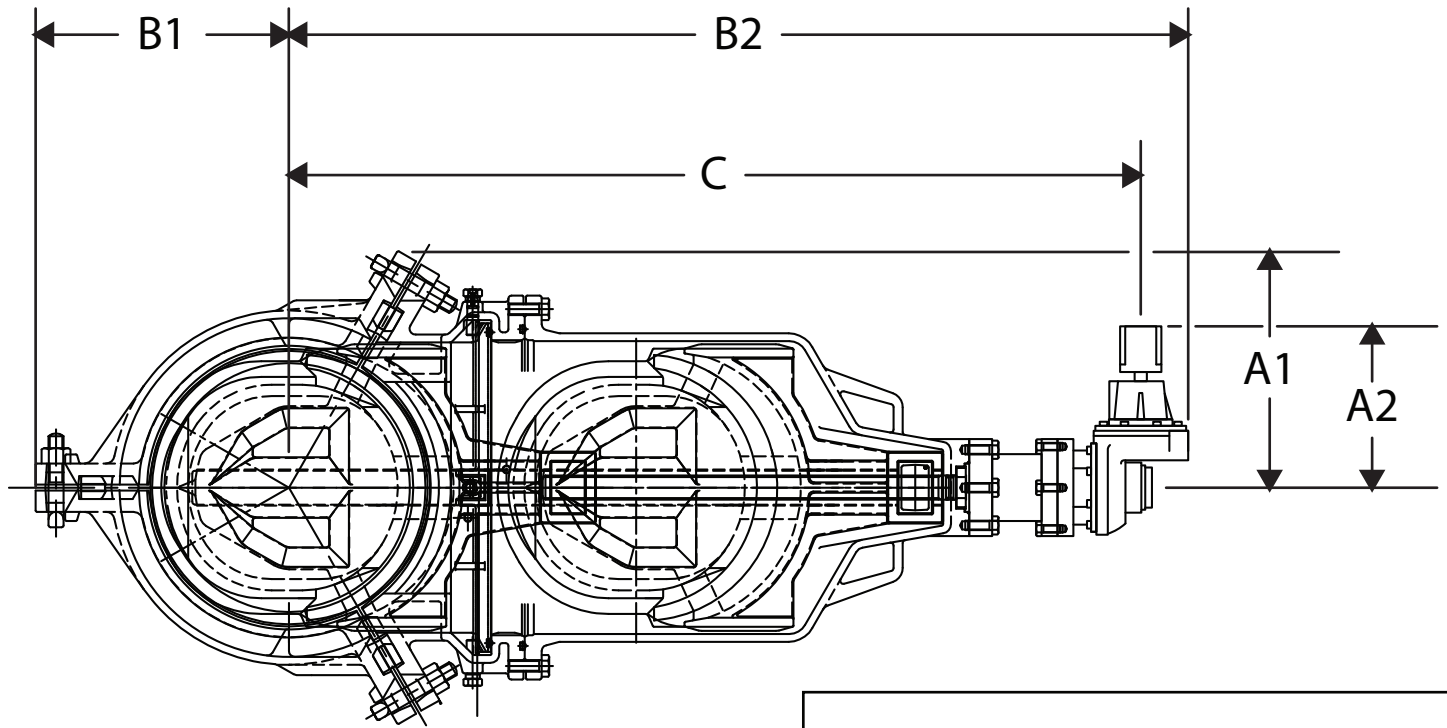


UL LISTED / NSF-61 Compliant

Item No.	Description	Material
1	Bottom Half of Body	DUCTILE IRON
2	Upper Half of Body	DUCTILE IRON
3	Bonnet Body	DUCTILE IRON
4	Gate	DUCTILE IRON
5	Gate Rubber	EPDM
6	Isolation Gate	DUCTILE IRON
7	Isolation Gate Rubber	EPDM
8	Stem (Feed Screw)	STAINLESS STEEL
9	Isolation Gate Stem	STAINLESS STEEL
10	Wrench Nut	DUCTILE IRON
11	Set Collar	BRASS
12	Stem Nut	BRONZE
13	Isolation Gate Stem Nut	BRONZE
14	Gasket	EPDM
15	Chip Flushing Port	
16	EM Cutting Port	
17	Bolts/ Nuts	DUCTILE IRON
17a	Sacrificial Anodes	ZINC
18	O-Rings	EPDM
19	Bonnet Bolts	STAINLESS STEEL

	MEETS AWWA C-509-01		
	A	B	C
14 Inch	38	29	26
16 Inch	43	31	28
18 Inch	45	34	32
20 Inch	46	36	34
24 Inch	53	41	44

14" ~ 24" EZ VALVES DIMENSIONS AND SPECIFICATIONS



RATED at 250 PSI		MEETS AWWA C-509-01			
	A1	A2	B1	B2	C
14 Inch	14.5	9.75	9.5	56.75	53.5
16 Inch	15.5	9.75	13.25	63	59.75
18 Inch	17	9.75	16.5	66	62.75
20 Inch	18	9.75	20.5	67.5	64.25
24 Inch	20.5	9.75	22.75	76	72.75



Specifications

- 1.) Bottom Pieces of Body: DI. ASTM A536 65-45-12 (AWWA C-509-01)
- 2.) Upper Piece Body: DI. ASTM A536 65-45-12 (AWWA C-509-01)
- 3.) Bonnet: DI. ASTM A536 65-45-12 (AWWA C-509-01)
- 4.) Gate: DI. ASTM A536 65-45-12 (AWWA C-509-01)
- 5.) Gate Rubber Coated: ASTM 10429 (AWWA C-509-01)

- 6.) Stem: Stainless Steel 1 CR 12 (AWWA C-509-01)
- 7.) Gasket: EPDM (AWWA C-509-01)
- 8.) Set Collar: Brass ASTM C519100 (AWWA C-509-01)
- 9.) Stem Nut: Bronze ASTM C90300 (AWWA C-509-01)
- 10.) Wrench Nut: DI. ASTM A536 65-45-12 (AWWA C-509-01)

Warranty: A One Year warranty covers parts and labor for Equipment and Valves (Excluding Perishable Tooling and O-Rings) barring misuse or lack of routine maintenance.

