



Advanced Valve Technologies

A CLOCK SPRING COMPANY

AVT EZ Valve™ 1.5, 2 & 3-inch, (40mm to 80mm)

The award-winning AVT EZ Valve™ is the best choice for emergency repairs and the smartest solution for planned and emergency pipeline maintenance on 1.5-inch to 3-inch, (40mm to 80mm) diameter lines.

This inline insertion valve can be installed on horizontal or vertical lines. The AVT EZ Valve™ installs on an active line, so there is no need to turn off the water flow. This means fixing a line is fast, with fewer disruptions to businesses and residents and less cost and risk for owners and operators. On pipe diameters from 1.5 in. to 3 in., (40mm to 80mm), these valves normally can be installed in around an hour.

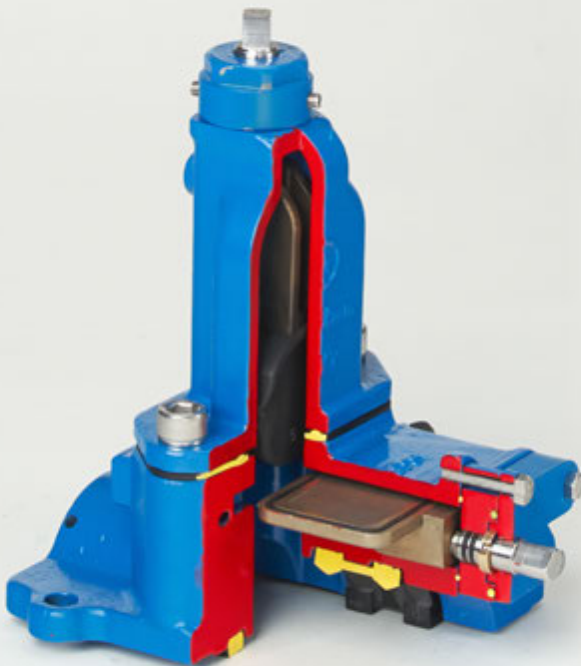
Ranked among the industry's most innovative solutions, the light and compact AVT EZ Valve™ is designed with a built-in isolation gate that allows the valve to be installed under pressure, a design feature that permits flow through the line while the repair is being made. It is durable, reliable, and certified to industry standards.

Applications

- High-rise buildings
- Multiple occupancy buildings
- Hospitals
- Factories
- HVAC
- Commercial buildings
- Refining and petrochemical plants
- Commercial plumbing
- Water distribution

BENEFITS & VALUE:

- No water shutoff required during installation
- No service interruption
- No fines for water shutoff
- No boil orders
- No customer notices
- No risk of plugging the line with a cut coupon
- No loss of pipe integrity
- Four times quicker to install than other valves on the market
- Enables one floor or area of a commercial or residential building to be isolated



Features

Design

Unique, patented technology

Low profile design

Ductile iron castings

Integrated isolation valve

Patented multichannel double-seal gaskets conform to irregular pipe geometries and sizes

Sizes 1.5-inch to 3-inch, (40mm to 80mm)

Installation

Can be installed on all common pipe materials

Customizable for special applications (sleeves to meet steel pipe ODs)

Installs at any angle

Valve bonnet can be removed after a repair or remain in place as a permanent functioning valve

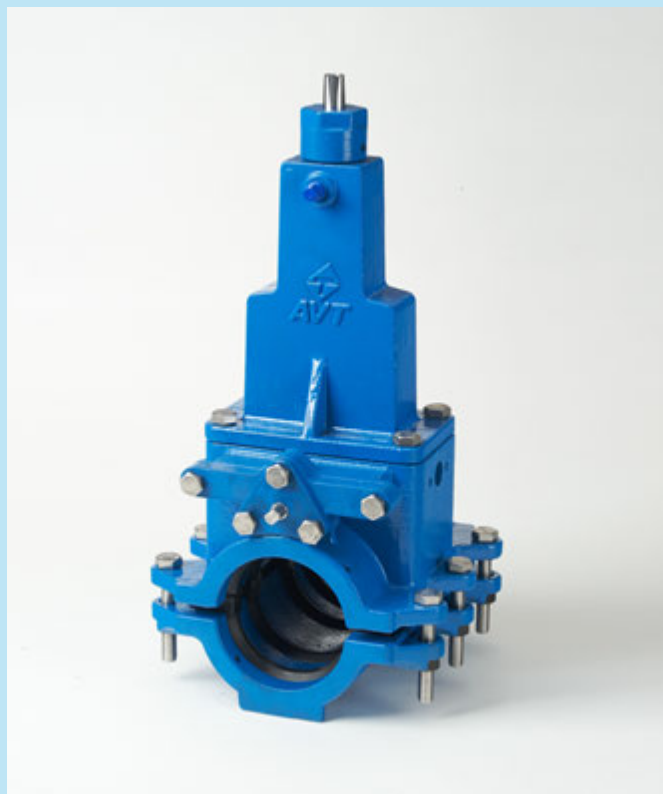
Safety

Corrosion resistant coatings

Stainless steel fasteners for secure positioning

Rated at 250 PSI, (17 Bar)

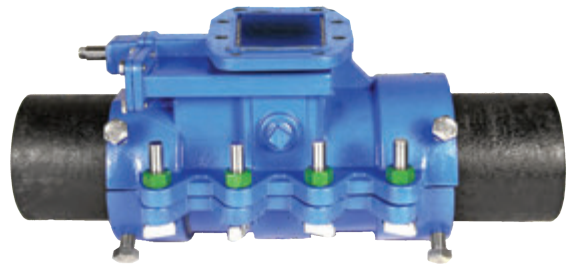
EZ Valve Materials are WRAS Certified, meet AWWA C-509/C-515 standards, UL Drinking Water System Component ANSI/NSF 61 and is Certified to NSF/ANSI 372 MH4914



Install process



Step 1: Prepare insertion site



Step 2: Assemble ductile iron castings with integrated isolation valve

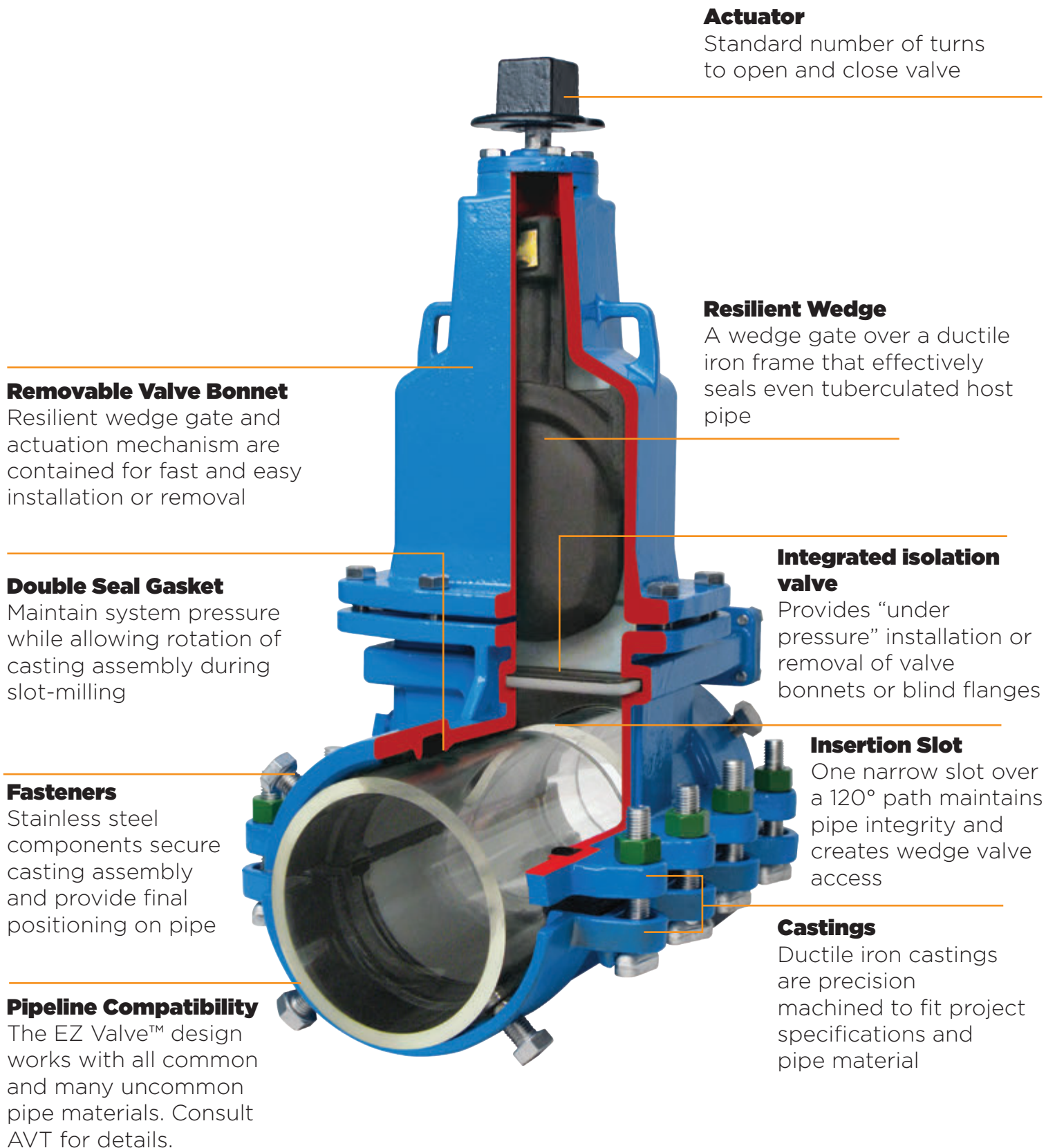


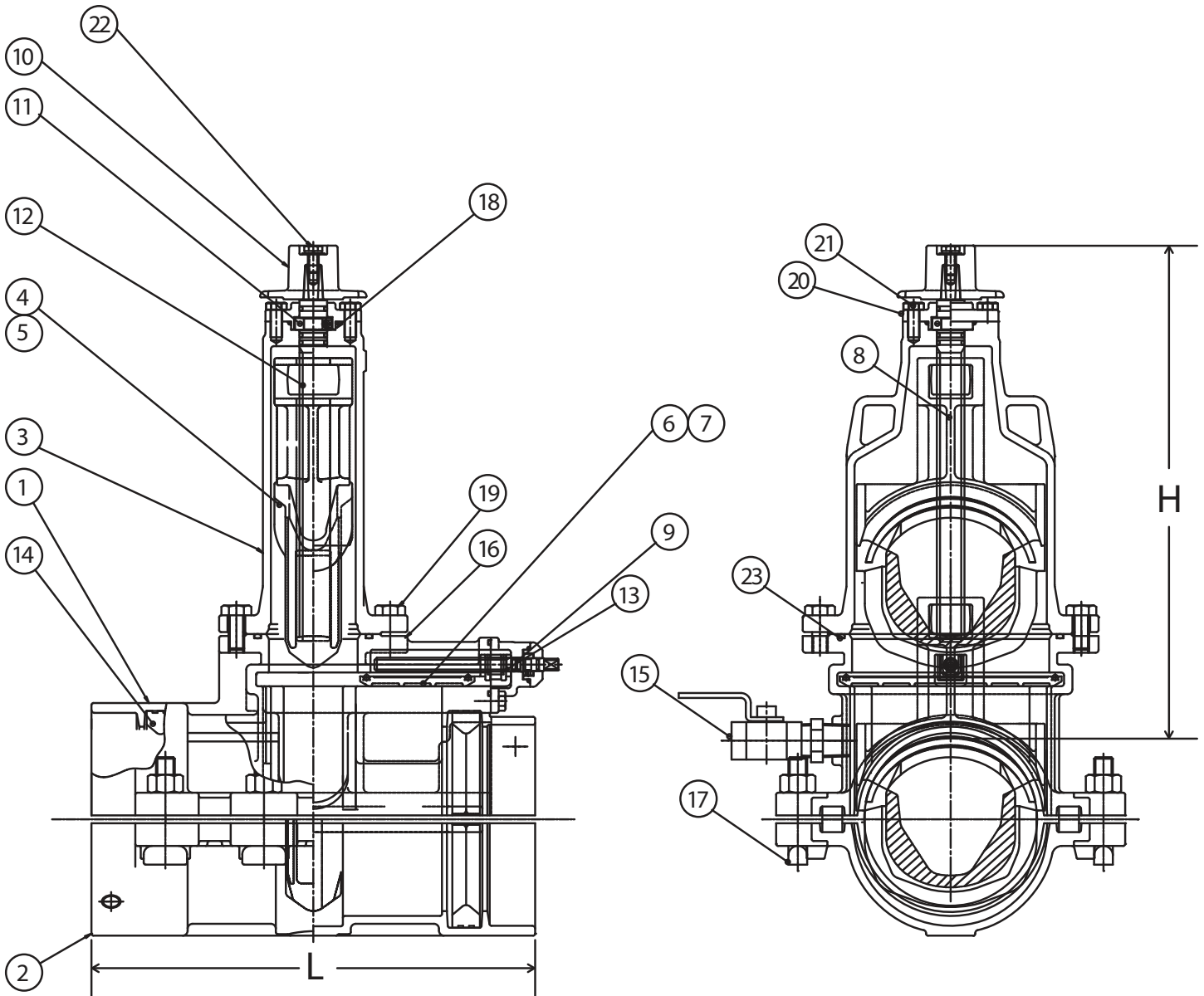
Step 3: Attach milling tool and mill 120° insertion slot



Step 4: Close isolation valve, replace milling tool with valve bonnet. Open isolation valve and operate EZ Valve as needed

Cut away valve with key





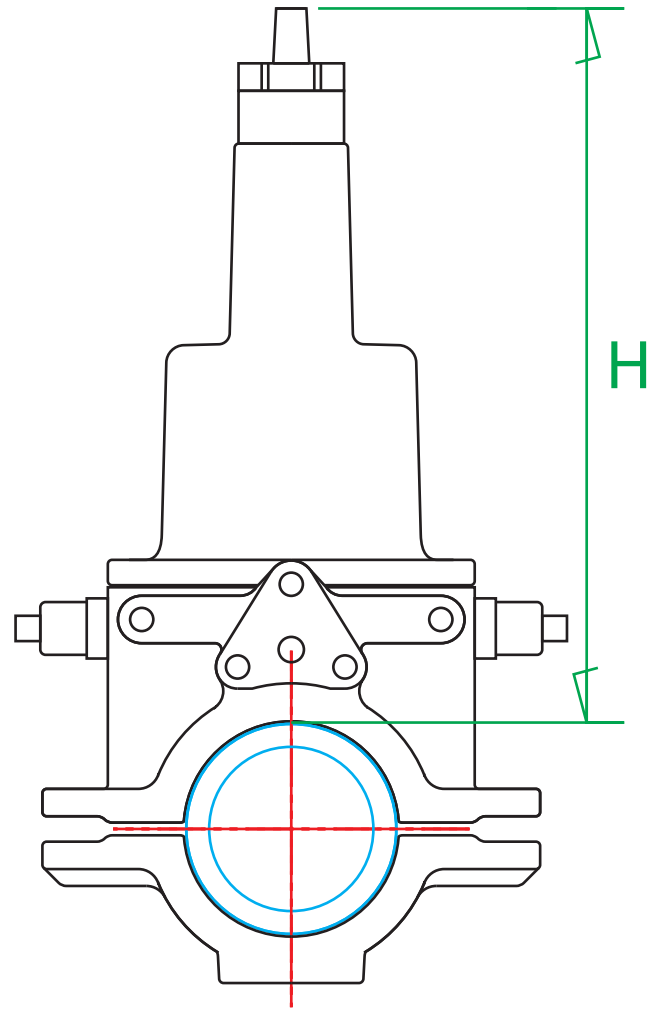
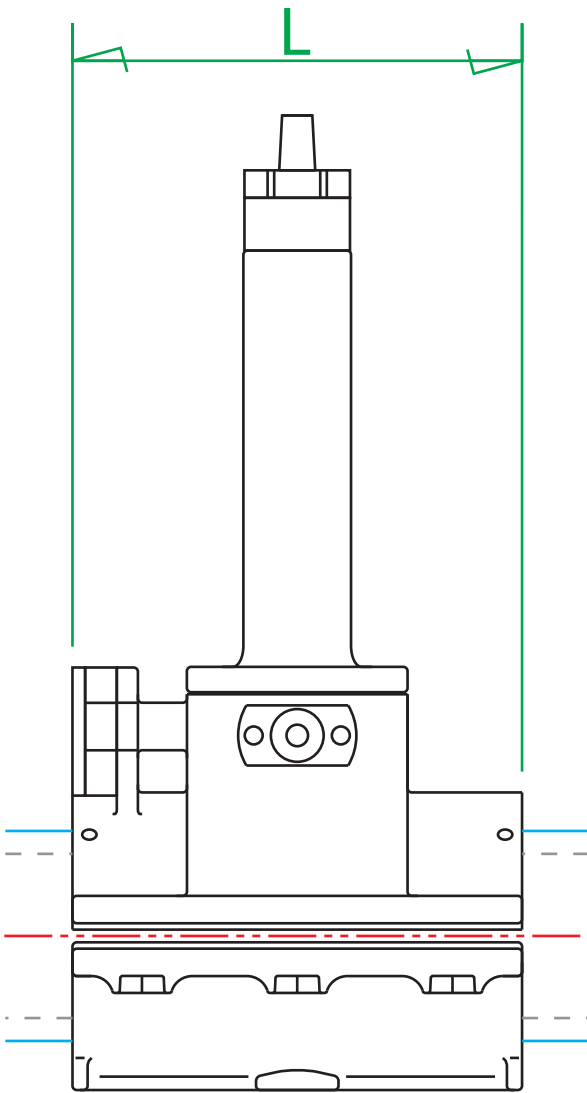
UL LISTED / NSF-61 Compliant

Item No.	Description	Material
1	Upper Half of Body	DUCTILE IRON
2	Bottom Half of Body	DUCTILE IRON
3	Bonnet Body	DUCTILE IRON
4	Gate	DUCTILE IRON
5	Gate Rubber	EPDM
6	Isolation Gate	DUCTILE IRON
7	Isolation Gate Rubber	EPDM
8	Stem (Feed Screw)	STAINLESS STEEL
9	Isolation Gate Stem	STAINLESS STEEL
10	Wrench Nut	DUCTILE IRON
11	Set Collar	BRASS
12	Stem Nut	BRONZE
13	Isolation Gate Stem Nut	BRONZE
14	Gasket	EPDM
15	Chip Flushing Port	
16	EM Cutting Port	
17	Sacrificial Anode Bolts/ Nuts	DUCTILE IRON WITH ZINC ANODES
18	O-Rings	BUNA-N
19	Bonnet Bolts	STAINLESS STEEL
20	Packing Gland	DUCTILE IRON
21	Packing Gland Bolts	STAINLESS STEEL
22	Bolt for Wrench Nut	STAINLESS STEEL
23	Bonnet O-Ring	EPDM

EZ VALVE CUTSHEET WITH SIZING

Rated at 250 PSI

Meets AWWA C-509-09



Specifications

- 1.) Bottom Half Body: DI. ASTM A536 65-45-12 (AWWA C-509-01)
- 2.) Upper Half Body: DI. ASTM A536 65-45-12 (AWWA C-509-01)
- 3.) Bonnet: DI. ASTM A536 65-45-12 (AWWA C-509-01)
- 4.) Gate: DI. ASTM A536 65-45-12 (AWWA C-509-01)
- 5.) Gate Rubber Coated: ASTM 10429 (AWWA C-509-01)
- 6.) Stem: Stainless Steel 1 CR 12 (AWWA C-509-01)
- 7.) Gasket: EPDM (AWWA C-509-01)
- 8.) Set Collar: Brass ASTM C519100 (AWWA C-509-01)
- 9.) Stem Nut: Bronze ASTM C90300 (AWWA C-509-01)
- 10.) Wrench Nut: DI. ASTM A536 65-45-12 (AWWA C-509-01)

SIZE	HEIGHT"	LENGTH
1.5"	8.25" (210mm)	7.4" (188mm)
2"	8.25" (210mm)	7.9" (200mm)
3"	13.375" (340mm)	8.75" (223mm)

Warranty: A One Year warranty covers parts and labor for Equipment and Valves (Excluding Perishable Tooling and O-Rings) barring misuse or lack of routine maintenance.

Sales@AVTFittings.com
www.AVTFittings.com



Advanced Valve Technologies
A CLOCK SPRING COMPANY