

The image displays the Curb-Stop™ Mechanical In-Line Valve in three stages of assembly. At the top, a black handle with a silver ferrule is shown. In the middle, the handle is inserted into a brass valve body that has a diamond-shaped logo with a white 'T' on its side. At the bottom, the handle is fully assembled and ready for use. The background is a blue gradient with abstract wave-like patterns.

Curb-Stop™

Mechanical In-Line Valve

*Great New Product That
Installs in Minutes!*

Curb-Stop™ Advantages

- **Permanent**
- **Easily installs in under twenty minutes**
- **Uses standard tapping equipment**
- **Fast emergency installation**
- **Security feature included**
- **Design allows keyhole installation**
- **Easy servicing in the field**
- **Makes pipe freezing obsolete**

***Curb-Stop™ is the Perfect Professional
Repair Tool.***



Advanced Valve Technologies, Inc.

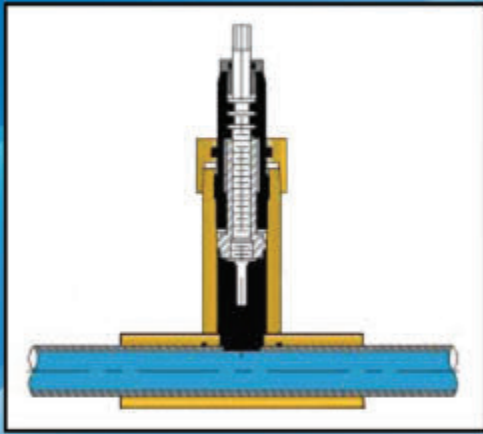
Call today for complete information about AVT's
innovative products including Curb-Stop and EZ Valve™

877.489.4909 • www.avtfittings.com

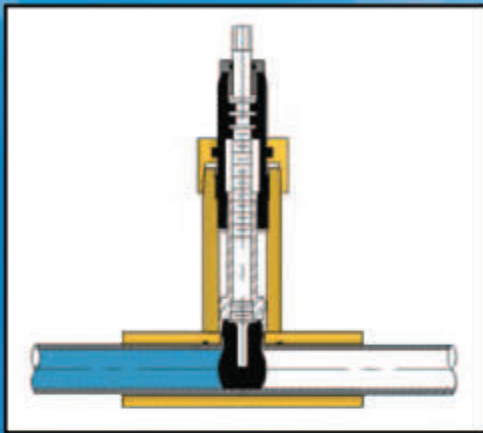
800 Busse Rd. • Elk Grove Village, IL 60007

Curb-Stop™

Mechanical In-Line Valve



Open Position



Closed Position



Advanced Valve Technologies (AVT) introduces the new Curb-Stop (Patent Pending) mechanical in-line stopper system for use on water, gas and mechanical/industrial applications. Applications include use on steel, copper type K and L services. The Curb-Stop design features a rubber coated gate, an internal feed screw, a bolt-on fitting and provides quick and simple installation. The Curb-Stop is easily installed in all piping applications in a matter of minutes. The Curb-Stop works well in buildings, out in the field, for keyhole installations, on process piping, in emergencies and more, making Curb-Stop the perfect all-around tool for professionals.

- Newest innovation for pipe repairs. Makes traditional methods obsolete!
- Installs in under 20 minutes
- Makes permanent repairs to piping in less than 20 minutes
- Perfect repair tool for emergencies and maintenance
- Ideal for water, process piping, gas, oil, air, and other applications.
- Avoids the expense and troubles from freezing!

Material Specifications:

12 L 14 carbon steel Stainless Steel 303 EPDM (Water) & Neoprene (Gas) Rubber

Size Range:

$\frac{3}{4}$ " , 1" , 1- $\frac{1}{4}$ " , 1- $\frac{1}{2}$ " , 2"
(19.05mm, 25.4mm, 31.75mm, 38.1mm, 50.8mm)
Larger sizes coming soon!

Pressure Ratings:

60 PSI Gas Ambient
300 PSI Water Ambient
Higher pressure/temperature available upon demand

OD Range:

Same size fitting for Carbon Steel, Copper K & L

Tested:

Tested to ASME B16.33 specifications at 90 P.S.I. for gas by an independent laboratory (reports upon request).
Tested to 450 P.S.I. by AVT for use on water systems.



Advanced Valve Technologies, Inc.

877.489.4909

www.avtfittings.com